



Quality Control  
for Your Perfect  
Protective Coating



Special UV LEDs  
make the smallest  
defects visible



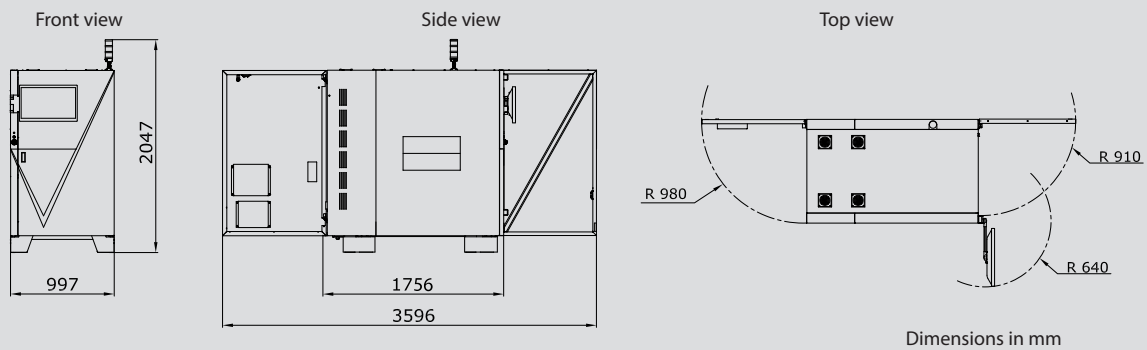
## **iS6052 CCI**

Economical and reliable conformal coating  
inspection for sensitive electronics



# Technical Specifications

## iS6052 CCI



		iS6052 CCI	
<b>Inspection scope</b>		Cracks, defect locations, completeness, smearing, splashes, dry coating inspection	
<b>Camera technology</b>		XM Basic CCI	XM Basic CCI Extended
	Angled view cameras		
	Number of megapixel cameras		4
	Orthogonal camera		
	Resolution Field of view	12 µm 50 mm x 50 mm (2" x 2")	12 µm 50 mm x 50 mm (2" x 2")
<b>Inspection Speed</b>		Up to 60 cm <sup>2</sup> /s	
<b>Software</b>	User interface	Viscom vVision	
	Statistical process control	Viscom vSPC/SPC, open interface (optional)	
	Verification station	Viscom vVerify	
	Remote diagnosis	Viscom SRC (optional)	
	Programming station	Viscom PST34 (optional)	
<b>System computer</b>	Operating system	Windows®	
	Processor	Intel®Core™i7	
<b>PCB handling</b>	PCB dimensions	508 mm x 508 mm (20" x 20")	
	PCB support	Optional	
	Transport height	900 - 950 mm ± 20 mm (35.4" - 37.4" ± 0.8")	
	Width adjustment	Automatic	
	Transport concept	Single-track transport system	
	PCB clamping	Pneumatic	
	Upper transport clearance	up to 115 mm (4.5")	
	Lower transport clearance	50 mm (2"); 40 mm (1.6") with PCB support	
<b>Other system data</b>	Positioning unit	Synchronous linear motor	
	Interfaces	SMEMA, Hermes	
	Power requirements	230/400 V, 50 Hz, 3P/N/PE +/- 10%; 4 - 6 bar working pressure	
	System dimensions	997 mm x 1756 mm x 1753 mm (39.3" x 69.1" x 69") (W x D x H)	
	Weight	Approx. 1060 kg (2337 lbs)	