

S3088 *ultra chrome*

**Highest throughput
for manufacturing**

**Reliable quality
assurance**

**Highly effective
process control tools**

**Simple and intuitive
system operation**

**Customer hotline and
website, remote
maintenance**

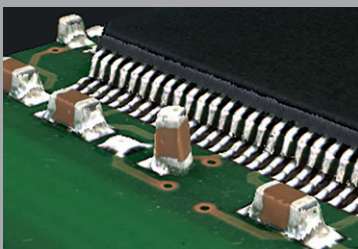
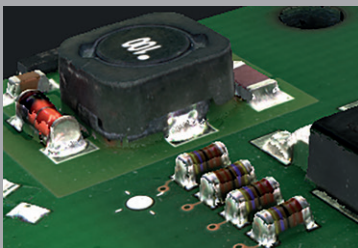


Extremely Fast and Precise Inspection for High-Volume Production

The S3088 *ultra chrome* is designed to meet the demand for high throughput production lines, inspect the most leading-edge electronics, and be cost competitive. This system is based on the unique 3D AOI technology from Viscom, and combines accurate defect detection with high inspection speed. This makes the S3088 *ultra chrome* the first choice for efficient SMT production.

Some of the market leading features of the S3088 *ultra chrome* are inspection speed of up to 65 cm²/s and a field of view of 50 mm x 50 mm. The orthogonal resolution is switchable, and with 10 µm per pixel even 03015 components can be reliably inspected. Together with the eight angled-view cameras, a virtually shadow-free 3D inspection is one of the key advantages of the system.

For optimal process control and comprehensive defect coverage, the results from automatic optical inspection can be intelligently linked with SPI, AXI and MXI results via the Quality Uplink software from Viscom. The modern user interface, vVision, makes operation simple and inspection program generation intuitive and quick.



3D AOI

Technical Specifications

S3088 *ultra chrome*

Inspection scope

Solder joints, placement, solder paste

Camera technology

3D sensor technology

Z-resolution 0.5 μm
Z-range Up to 30 mm (1.2")

Angled view cameras

Number of megapixel cameras 8

Orthogonal camera

Resolution 10 μm
Field of view 50 mm x 50 mm (2" x 2")

Inspection speed

Up to 65 cm^2/s

Software

User interface Viscom vVision/EasyPro
SPC Viscom SPC (statistical process control), open interface (optional)
Verification station Viscom vVerify/HARAN
Remote diagnosis Viscom SRC (software remote control) (optional)
Programming station Viscom PST34 (optional)

System computer

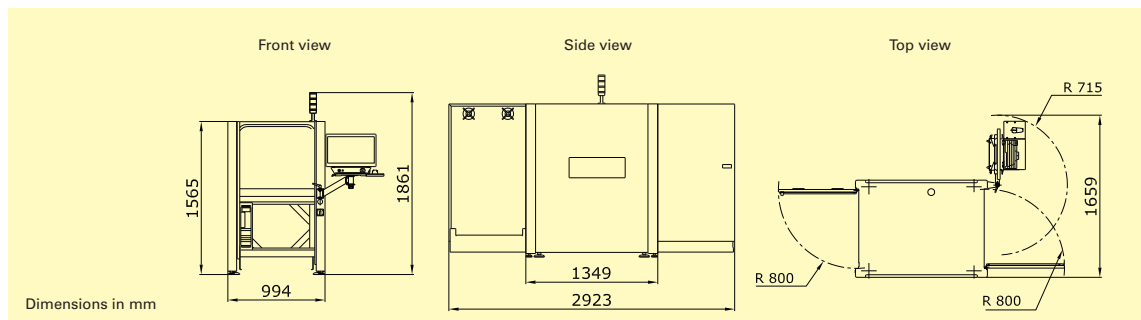
Operating system Windows®
Processor Intel® Core™ i7

PCB handling

PCB dimensions 508 mm x 508 mm (20" x 20")
Transport height 850 - 950 mm \pm 20 mm (33.5" - 37.4" \pm 0.8")
Width adjustment Automatic
Transport type Single track transport
PCB clamping Pneumatic
Upper transport clearance 50 mm (2")
Lower transport clearance 50 mm (2")

Other system data

Positioning/handling unit Synchronous linear motors
Interfaces SMEMA
Power requirements 400 V (other voltages on request), 3P/N/PE, 8 A, 4 - 6 bar working pressure
System dimensions 994 mm x 1565 mm x 1349 mm (39.1" x 61.6" x 53.1") (W x H x D)
Weight 720 kg (1587 lbs)



Headquarters:

Viscom AG
Carl-Buderus-Straße 9 - 15 · 30455 Hanover · Germany
Tel.: +49 511 94996-0 · Fax: +49 511 94996-900
info@viscom.com · www.viscom.com

Visit our website to find international subsidiaries and representatives in Europe, USA and Asia:

www.viscom.com