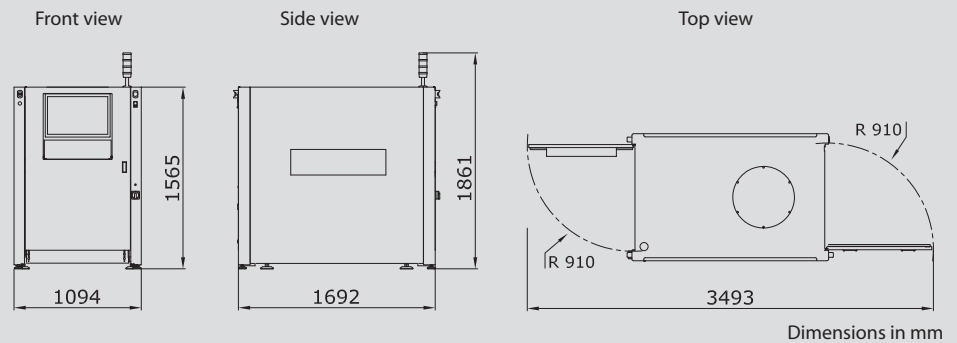


# S3088 DT | 3D-SPI System Variant – Technical Specifications



S3088 DT   3D-SPI system variant		
<b>Inspection scope</b>	3D SPI	Inspection of solder paste possible deposits, stencil printing and dispensing technology (up to pad sizes for 01005 components) as well as sinter paste; inspection of component presence, surface, height, print displacement (X/Y offset), paste smearing and, as options: shape, coplanarity, open area analysis, OCR and DCM
<b>Camera technology</b>	<b>3D camera technology</b>	
	Measuring procedure	Structured light projection
	Z-resolution	0.1 µm
	Z-measurement area	4 mm (0.2")
	<b>Angled view cameras</b>	
	Number of megapixel cameras	4
<b>Orthogonal camera</b>		
	Resolution	Standard: 20 µm, high resolution: 10 µm
	Field of view size	58.2 mm x 58.2 mm (2.3" x 2.3")
<b>Software</b>	User interface	Viscom vVision/EasyPro
	Statistical process control	Viscom SPC/vSPC, open interface (optional)
	Verification station	Viscom vVerify/HARAN
	Remote diagnosis	Viscom SRC (software remote control) (optional)
	Programming station	Viscom PST34 (optional)
<b>System computer</b>	Operating system	Windows®
	Processor	Intel® Core™ i7
<b>PCB handling</b>	Transport concept	Dual-track transport
	Printed circuit board size (L x W)	450 mm x 350 mm, minimum width 70 mm
	Transfer height	900 - 950 mm ± 20 mm (35.4" - 37.4" ± 0.8")
	Width adjustment	Automatic*
	PCB clamping	Pneumatic
	Upper transport clearance (max.)	50 mm (2")
	Lower transport clearance	40 mm* (1.6")
<b>Other system data</b>	Positioning unit	Synchronous linear motors
	Interfaces	SMEMA (standard), IPC Hermes standard, other interfaces on request
	Power requirements	400 V (other voltages on request), 3P/N/PE, 8 A Compressed air 10 bar max. (4 - 6 bar working pressure)
	System dimensions	1094 mm x 1565 mm x 1692 mm (43.1" x 61.6" x 66.6") (W x H x D)
	Weight	1400 kg (3086 lbs)

\* Various width adjustments and transport clearances on request.

You will find our international subsidiaries and representatives at:

[www.viscom.com](http://www.viscom.com)