

S3088 CCI

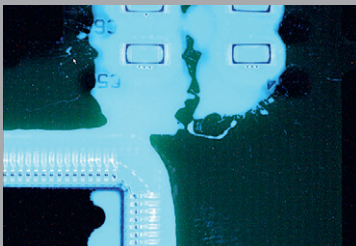
**Precise detection
of coating voids**

**Quick inspection
program generation**

**Easily adaptable to vari-
ous conformal coatings**

**Full compatibility
with S3088 systems**

3D Spot Measurement



Reliable conformal coating inspection – powerful and precise

Conformal coating protects electronics assemblies against damage from moisture and wetness. The Viscom S3088 CCI system is tailor-made to meet the requirements of conformal coating inspection. The system features an 8M sensor technology with four orthogonal cameras and also is equipped with UV LEDs in order to accurately contrast UV-reactive conformal coatings. Optionally, the system can also be equipped with 4 or 8 angled cameras. With a resolution of up to 10.5 $\mu\text{m}/\text{pixel}$ orthogonal or 8 $\mu\text{m}/\text{pixel}$ angular it quickly and reliably detects typical defects such as cracks, coating voids, too-thin or too-thick coatings, smears, contamination, and splashes.

The sensor technology works with Viscom vVision or SI inspection software, thus offering the same user interfaces and programming strategies as other AOI systems in the successful S3088 family. As a result, traceability concepts, special tests such as reading labels with a data matrix code (DMC), and other production-relevant features can be implemented without difficulty. Thanks to flexible algorithms, the S3088 CCI can be adapted very quickly to different conformal coatings. Simple inspection programs can be created in just a few minutes. Additionally, layer thickness measurement (3D Spot Measurement), wet and plasma coating inspection as well as the inspection of other nano coatings are available as an option.

AOI

Technical Specifications

S3088 CCI

Application

Cracks, coating voids, completeness, smears, splashes
 Dry inspection, wet inspection (optional)

Camera technology

Orthogonal camera module 8M (white and UV LEDs)	HighDensity module
Field of view	576 mm x 43.5 mm (2.3" x 1.7")
Resolution	11.75 μ m
Number of megapixel cameras	4

Angular view camera module 8M (UV LEDs) (optional)

Resolution	8 μ m
Number of megapixel cameras	4/8 (optional)

3D Spot Measurement

Vertical range	0 - 15 mm z-axis
Inspection range	30 - 500 μ m (other values optional)*
Resolution	250 nm
Field of view (diameter)	20 μ m
Repeatability of height evaluation	< 2 μ m @ 3 σ on certification target < 5 μ m @ 3 σ on coating material (100 μ m acrylic resin sample)*

Software

User interface	Viscom vVision/EasyPro
SPC	Viscom SPC (statistical process control), open interface (optional)
Verification station	Viscom vVerify/HARAN
Remote diagnosis	Viscom SRC (optional)
Programming station	Viscom PST34 (optional)

System computer

Operating system	Windows®
Processor	Intel® Core™ i7

PCB handling

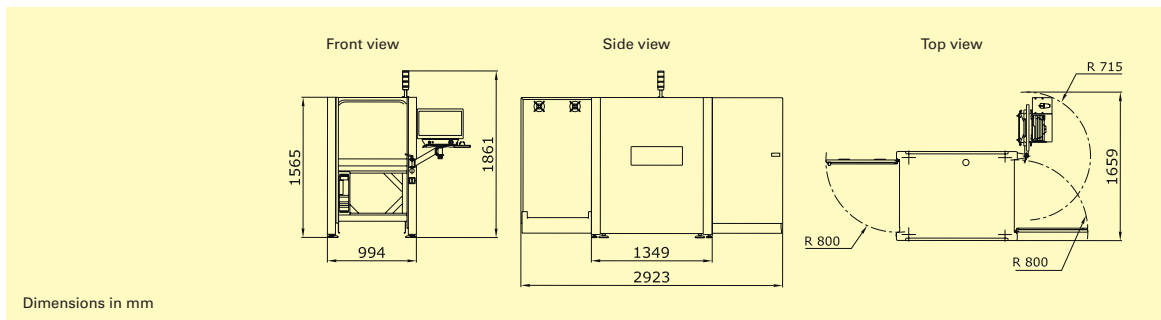
PCB dimensions	508 mm x 508 mm (20" x 20")
Transport height	900 - 950 mm \pm 20 mm (35.4" - 37.4" \pm 0.8")
Width adjustment	Automatic
Transport concept	Single track transport
PCB clamping	Pneumatic
Upper transport clearance	50 mm (2")
Lower transport clearance	Up to 60 mm (2.4")

Inspection speed

8M/HighDensity	20 - 40 cm ² /s
3D spot measurement	0.6 s per FOV*

Other system data

Positioning/handling unit	Synchronous linear motors
Interfaces	SMEMA
Power requirements	230 V (other voltages on request), 1P/N/PE, 10 A
System dimensions	994 mm x 1565 mm x 1349 mm (39.1" x 61.6" x 53.1") (W x H x D)
Weight	600 kg (1323 lbs)



Headquarters:

Viscom AG
 Carl-Buderus-Straße 9 - 15 · 30455 Hanover · Germany
 Tel.: +49 511 94996-0 · Fax: +49 511 94996-900
 info@viscom.com · www.viscom.com

Visit our website to find international subsidiaries and representatives in Europe, USA and Asia:

www.viscom.com

*Specification may vary by coating material – please do not hesitate to contact us for individual evaluation.
 Specifications subject to change without notice. Windows® and Intel® Core™ i7 are registered trademarks.